

# MPV

Multi port valve (soft seal)



Type multiport gauge valve, being a completely roddable multi-outlet gauge valve, is most suitable for viscous applications and plugging services. Useable on gauge or instrument installations without additional penetration of the main piping for versatile multiple positioning purpose. The flow path of the valve is easy to clean for viscous fluid application. Available with a male inlet and three female outlet ports or female inlet and three female outlets. Main inlet either screwed or prepared for welding. Bleed valves and plugs to suit outlet ports supplied optional.

## Applications

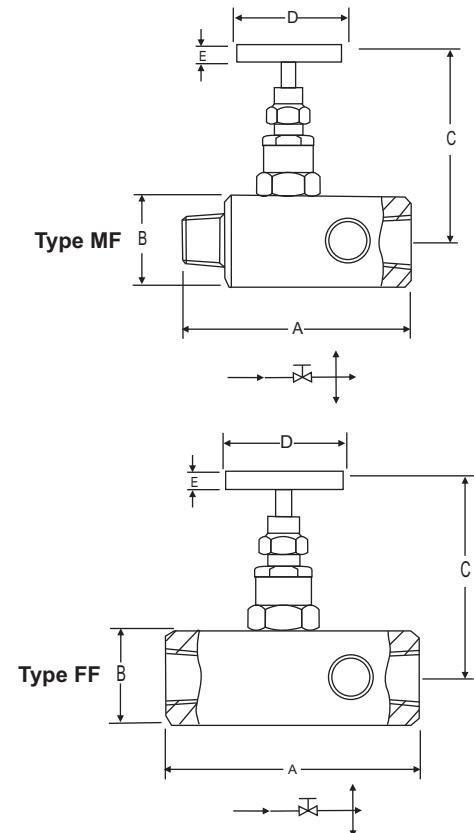
- Multiple gauge or instrument mounting
- Instrument isolation
- Instrument installation with separate vents and calibrate connections
- Liquid and vapor gas service

## Technical specifications

Design Pressure	: 6000 PSI
Max temp.	: 240°C
Stem	: (DS)Delrin Soft Needle Tip rolled into the needle
Stem packing area	: Burnished finish for smooth valve operation
Features	: Replaceable soft seat which absorbs contaminants and operates in dirty service and straight through design for high capacity bi-directional flow.

Size	Type	Body dimensions		Height (open) C	Handle D	Handle OD E
		A	B			
1/4"	FxF	74	25	64.5	40	10
	MxF	84	25	64.5	40	10
3/8"	FxF	74	25	64.5	40	10
	MxF	84	25	64.5	40	10
1/2"	FxF	102	32	94	55	12.7
	MxF	115	32	94	55	12.7
3/4"	FxF	102	38	97	55	12.7
	MxF	115	38	97	55	12.7

All dimensions are in mm



- Notes :
- Drawings are not to scale.
  - All Dimensions are in mm.

Note : Other combination sizes available on request.  
Please contact us for more details.

**How To Order**

Body Material	Stem Packing	Size = P x P1	Connections (inlet x outlet)	Threads
C = Carbon Steel	P = PTFE	24 = 1/4" x 1/4"	FF = Female x Female	N = NPT (ANSI B 1.20.1)
S = SS 316	G = Grafoil	44 = 1/2" x 1/2"	MF = Male x Female	P = BSPP (BS 2779, ISO 228/1)
S4 = SS 304		46 = 1/2" x 3/4"	SW = Socket Weld	B = BSPT (BS 21, ISO 7/1)
SL = SS 316L		64 = 3/4" x 1/2"	FL = Female x extended	
M4 = Monel 400		66 = 3/4" x 3/4"	long body end	
M5 = Monel 500				
H = Hastelloy C				
B = Brass				

**Options**

**TF** : Compliance to NACE standard  
**SG** : For Oxygen service, valves are supplied cleaned, degreased and suitably packed.  
**GH** : Material test certificate\*  
**GO** : Hydro test certificate  
**BLD8** : Bleeder 1/2" NPT (Male)  
**D8** : Plug 1/2" NPT (Male)

\* Material test certificate will be provided for wetted parts only with chemical composition testing. For others, please consult factory.

**Example**

To place an order simply refer to the codes in the table.

Valve Type .Body Material + Stem Packing + Size + Connections + Threads + Options

MPV + S + P + 44 + MF + N = MPV . S . P . 44 . MF . N . Options

**Standard Valve Materials**

Valve	Body	Bonnet	Stem	Tip
Carbon Steel	CS A105	CS A105	SS 304	SS 304
Stainless Steel	SS 316	SS 316	SS 316	SS 316
Monel	Monel	Monel	Monel	Monel

Note : Specifications and dimensions given in this product catalogue represents the state of engineering at the time of printing .  
 Modifications may take place and materials specified may be replaced by others without prior notice.